

Electric Pneumatic Tire Lift Trucks

Capacity: 3,000-4,000 lb



EPC3000-EP4000 Series

Combining the latest in operator ergonomics, advanced AC control systems and customized performance, the EPC3000-EP4000 Series of four-wheel electric pneumatic tire lift trucks provides maximum performance across a variety of applications. Supported by the industry-leading Cat® lift truck dealer network, these lift trucks are the ideal choice for your material handling needs.

Lower Energy Consumption. High efficiency and regenerative braking on the EPC3000-EP4000 Series of lift trucks result in the ability to operate over two shifts on one battery charge in many applications.

Increased Productivity. High torque at all speed levels ensures a highly-productive operation. The benefit is considerably faster throughput or even a possible reduction in fleet size.

Extended Areas Of Operation. Electric motors protected to IP54 and specially-designed options such as operator cabins allow for operation in areas outside of traditional electric lift truck applications.



Advanced Ergonomics

A comfortable operator is a productive operator — and the EPC3000-EP4000 Series gives your operators the tools they need to do their jobs efficiently.

Model	Capacity (lbs)				
	3,000	3,250	3,500	3,750	4,000
EPC3000					
EP3000					
EPC3500					
EP3500					
EP4000					

Comfortable Ride

The floating cab rests on cushioning bushings, working with the full-suspension seat to absorb floor shocks and overall vibration. The narrow steer column adjusts for height and proximity, resulting in additional legroom, while the AC steer system provides low-effort, responsive steer control.



Spacious operator compartment

In Control

The standard fingertip hydraulic controls are integrated into the armrest and offer low-effort, precise control. The travel direction switch and horn are integrated into the module for simultaneous functionality. Joystick control is available as an option.



Optional joystick control

Premium Operator Display

The easy-to-read, cowl-mounted display includes a steer direction indicator, maintenance reminders and selectable performance modes which provide considerable adjustments to the drive and hydraulic functions to meet operator requirements.



Optimized display panel raises awareness

Powerful Technology

The EPC3000-EP4000 Series is built to maximize uptime. From the low-maintenance components to the high-efficiency systems, these lift trucks will spend their time on what matters most — moving product.



Efficient Performance

This truck offers both improved efficiency through the design of the AC control system and optimal energy recovery through the regenerative braking system. The result is a truck that can run for over two shifts on one battery charge in many applications.

Reliable Motors

The AC electric motors are protected to IP54, protecting them against dust, water and chemicals. The motors are extremely quiet and provide precise performance at all power levels.

Optimized Visibility

Narrow mast channels, a very low-profile cowl and open overhead guard help by providing improved operator visibility to the load and in their surroundings during operation.

Application Options

Options such as attachments, operator cabs, specialty tires and cold store modification can customize the truck for your specific application needs, extending equipment service life and minimizing product damage.

Effortless Maintenance

With extended service intervals, display-based indicators and reminders and easy access to service components, you can count on maximizing uptime and lowering maintenance costs with your Cat lift truck.



Energy efficiency, zero emissions



Increased visibility



Operator cabs



Service time is minimized

Delivering Real Material Handling Solutions

A Cat lift truck purchase connects you to a variety of material handling solutions, including world-class service and support from the best dealer network in the industry.

Cat Lift Trucks also offers the most comprehensive support programs in the industry. Highly-skilled service technicians, diverse parts inventory and an outstanding selection of service options, all help to reduce your total cost of ownership and keep your lift trucks performing at their best.



Dealers You Can Depend On

With hundreds of dealer locations throughout North and South America, Cat lift truck dealers provide more than lift trucks. From flexible financing options, to parts, service and product support, our dealers are unsurpassed.



Professionals you can depend on

Standing Behind Our Products

We deliver peace of mind by helping your trucks stay on the job, day after day. Every new Cat lift truck is covered by a 1-year/2,000 hours warranty that includes parts and labor, as well as components and systems. With our standard 2-year/4,000 hours extended powertrain warranty, you'll have the confidence that only comes from owning a Cat lift truck.



Keeping you covered

Parts Fast Or Parts Free*

The Parts Fast Or Parts Free Guarantee ensures next-business-day delivery of all Cat lift truck parts, or they're free, including freight. If your part doesn't come in by the next business day, we pay for it.



Parts when you need them

Genuine OEM Parts

When you buy from your local dealer, you can be assured that your OEM part is manufactured to meet original equipment criteria. Additionally, all Cat lift truck OEM parts come with a six-month, unlimited-hours warranty.



Genuine Cat Lift Truck OEM parts

Flexible Financing Options*

Financing your next Cat lift truck is easy with our wide range of flexible leasing and purchasing options. Whether you want to finance or lease, your local Cat lift truck dealer can help customize a package tailored to your specific needs.



Custom financing packages

* Programs may be subject to change without notice and may vary by region. Please ask your local Cat lift truck dealer for complete terms and conditions.

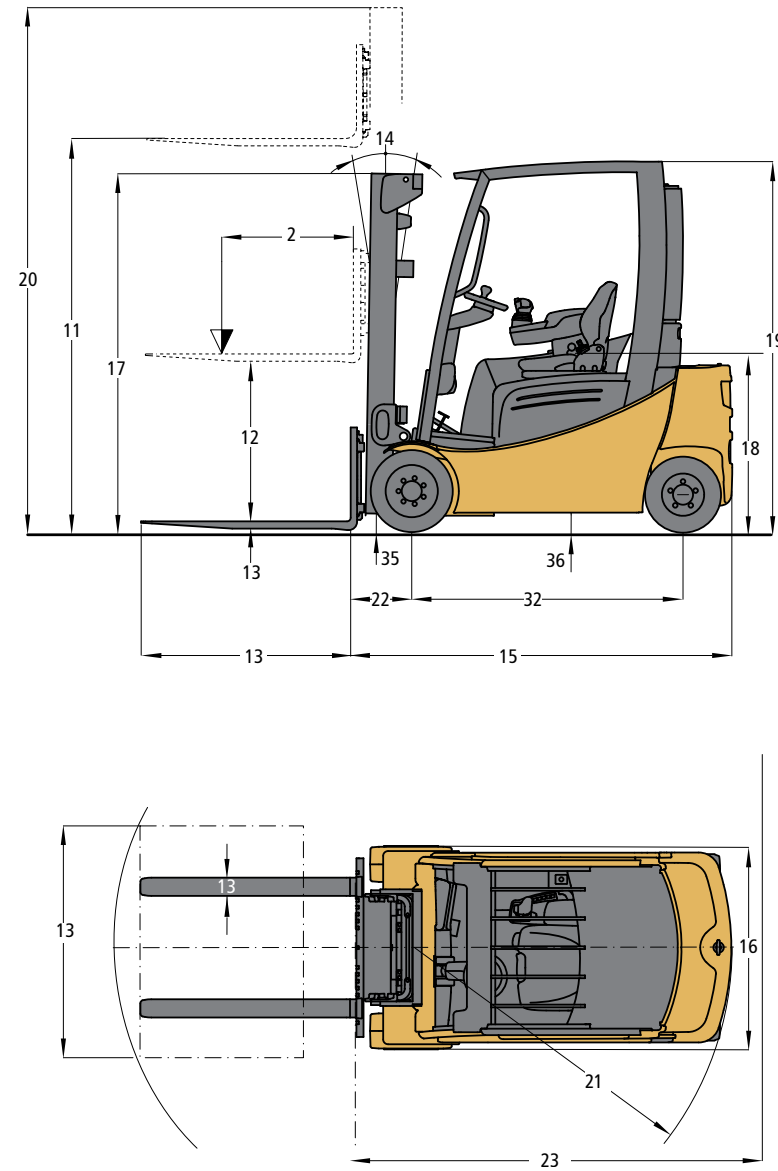
Specifications

Characteristics				EPC3000		EP3000		EPC3500		EP3500		EP4000			
1	Capacity	at rated load center	lb	kg	3,100	1,600	3,125	1,600	3,516	1,800	3,516	1,800	3,907	2,000	
2		at load center – distance	in	mm	24	500	24	500	24	500	24	500	24	500	
3	Power	diesel, gasoline, LP gas, electric		electric		electric		electric		electric		electric			
4	Tire type	cushion, solid pneumatic		solid pneumatic		solid pneumatic		solid pneumatic		solid pneumatic		solid pneumatic			
5	Wheels (x = driven)	number front / rear		2x/2		2x/2		2x/2		2x/2		2x/2			
Dimensions				EPC3000		EP3000		EPC3500		EP3500		EP4000			
11	Lift with standard two-stage mast	maximum fork height	in	mm	118	3,000	118	3,000	118	3,000	118	3,000	118	3,000	
12		free fork height	in	mm	5.9	150	5.9	150	5.9	150	5.9	150	5.9	150	
13	Forks	thickness x length x width		in	mm	1.6 x 3.9 x 45.3	40 x 100 x 1,150	1.6 x 3.9 x 45.3	40 x 100 x 1,150	1.6 x 3.9 x 45.3	40 x 100 x 1,150	1.6 x 3.9 x 45.3	40 x 100 x 1,150		
	Fork spacing	out-to-out minimum / maximum		in	mm	12.3/36	312/914	12.3/36	312/914	12.3/36	312/914	12.3/36	312/914		
14	Tilt	forward / backward		deg		7/7		7/7		7/7		7/7			
15	Overall dimensions	length to fork face	in	mm	78.3	1,990	82.6	2,098	78.3	1,990	82.6	2,098	82.6	2,098	
16		width	standard	in	mm	41.7	1,060	41.7	1,060	44.1	1,120	44.1	1,120	44.1	1,120
			with wide stance drive wheels	in	mm	n/a		n/a		n/a		n/a		n/a	
17		height	with lowered mast	in	mm	79	2,000	79	2,000	79	2,000	79	2,000	79	2,000
18			seat height to SIP	in	mm	36.2	920	36.2	920	36.2	920	36.2	920	36.2	920
19	to top of overhead guard		in	mm	80.4	2,040	80.4	2,040	80.4	2,040	80.4	2,040	80.4	2,040	
20	with extended mast		in	mm	166	4,216	166	4,216	166	4,216	166	4,216	166	4,216	
21	Minimum outside turning radius	in	mm	73.2	1,859	78.1	1,985	73.2	1,859	78.1	1,985	78.1	1,985		
22	Load moment constant	in	mm	13.4 ¹⁾	340	13.4 ¹⁾	340	13.4 ¹⁾	340	13.4 ¹⁾	340	13.4 ¹⁾	340		
23	Minimum aisle 90° stack - must add load length and clearance	in	mm	86.6 ¹⁾	2,200	91.5 ¹⁾	2,325	86.6 ¹⁾	2,200	91.5 ¹⁾	2,325	91.5 ¹⁾	2,325		
Performance				EPC3000		EP3000		EPC3500		EP3500		EP4000			
24	Speeds	travel speed	loaded	mph	km/h	10.6	170	10.6	170	10.6	170	10.6	170		
			empty	mph	km/h	10.6	170	10.6	170	10.6	170	10.6	170		
lift speed		loaded	fpm	m/s	96.5	0.49	96.5	0.49	86.6	0.44	86.6	0.44	78.7	0.40	
		empty	fpm	m/s	118.1	0.60	118.1	0.60	108.3	0.55	108.3	0.55	108.3	0.55	
26	lowering speed	loaded	fpm	m/s	108.3	0.55	108.3	0.55	108.3	0.55	108.3	0.55	108.3	0.55	
		empty	fpm	m/s	108.3	0.55	108.3	0.55	108.3	0.55	108.3	0.55	108.3	0.55	
28	Gradeability	maximum gradeability	loaded	%		27		27		26		25		24	
			empty	%		35		35		35		35		35	
Weight				EPC3000		EP3000		EPC3500		EP3500		EP4000			
29	Empty	with minimum weight battery		lb	kg	6,597	2,992	6,503	2,950	6,906	3,133	6,812	3,090	7,175	3,255
30	Axle load	with rated load	front	lb	kg	8,542	3,967	8,372	3,998	9,149	4,300	9,063	4,322	9,667	4,631
			rear	lb	kg	1,155	625	1,231	552	1,247	632	1,239	568	1,388	624
		without load	front	lb	kg	2,999	1,360	3,235	1,467	3,012	1,366	3,251	1,475	3,232	1,466
			rear	lb	kg	3,598	1,632	3,268	1,482	3,894	1,766	3,561	1,615	3,943	1,789
Chassis				EPC3000		EP3000		EPC3500		EP3500		EP4000			
31	Tire size	front, standard solid pneumatic tires		in		18 x 7 - 8		18 x 7 - 8		200 / 50 - 10		200 / 50 - 10			
		rear solid pneumatic tires		in		16 x 6 - 8		16 x 6 - 8		16 x 6 - 8		16 x 6 - 8			
32	Wheelbase			in	mm	55.1	1,400	59.4	1,508	55.1	1,400	59.4	1,508		
33	Tread width	front, standard solid pneumatic tires		in	mm	35.6	904	35.6	904	36.0	914	36.0	914		
34		rear solid pneumatic tires		in	mm	32.7	830	32.7	830	32.7	830	32.7	830		
35	Ground clearance	at lowest point at mast		in	mm	3.1	80	3.1	80	3.1	80	3.1	80		
36		at center of wheelbase		in	mm	3.9	100	3.9	100	3.9	100	3.9	100		
37	Brakes	service		type		electric / mechanical		electric / mechanical		electric / mechanical		electric / mechanical			
38		parking		type		electromagnetic		electromagnetic		electromagnetic		electromagnetic			
Powertrain				EPC3000		EP3000		EPC3500		EP3500		EP4000			
39	Battery	type		lead - acid		lead - acid		lead - acid		lead - acid		lead - acid			
41		dimensions (length x width x height)		in		24.80 x 32.68 x 24.69		29.06 x 32.68 x 24.69		24.80 x 32.68 x 24.69		29.06 x 32.68 x 24.69			
42		maximum capacity at 6 hr. discharge rate		Ah	kWh	500	23.3	600	27.8	500	23.3	600	27.8		
43	Motors	weight, minimum		lb	kg	1,791	812	2,147	974	1,791	812	2,147	974		
44		traction output (60 min. rating) x 2		HP	kW	6.0	4.5	6.0	4.5	6.0	4.5	6.0	4.5		
		lift output (15% rating)		HP	kW	15.4	11.5	15.4	11.5	15.4	11.5	15.4	11.5		
45	Controls	drive		type		Impulse / AC		Impulse / AC		Impulse / AC		Impulse / AC			
46		hydraulic		type		AC		AC		AC		AC			
47	Relief pressure	for attachments at auxiliary		psi	bar	2,900	200	2,900	200	2,900	200	2,900	200		
48	Noise level	mean value at operator's ear		dB(A)		67		67		67		67			

NOTE: These specifications assume the use of drive axles, tires and tilt angles specified. Any modification to specifications, or any other combination of specifications made after the shipment of the truck, requires prior written approval from Mitsubishi Caterpillar Forklift America Inc. (MCFI). (See ANSI/ITSDF B56.1.) Also be advised that overall operating visibility may be affected by the mast configuration and mast options of your lift truck. Therefore, you may need to add ancillary [auxiliary] devices or modify your operating practices. Consult your dealer for further information.

1) Add 1.0" (25mm) if truck is equipped with a triplex mast; Add an additional 0.9" (23mm) if equipped with an integrated sideshifter, or an additional 2.4" (60mm) if equipped with a hang-on sideshifter.

Call-out numbers shown in diagram correspond to the first column of the specifications chart.



Safety Standards

These trucks meet American National Standards Institute/ Industrial Truck Standards Development Foundation, ANSI/ITSDF B56.1. Users should be aware of, and adhere to, applicable codes and regulations regarding operator training, use, operation and maintenance of powered industrial trucks, including:

- ANSI/ITSDF B56.1.
- NFPA 505, fire safety standard for powered industrial trucks - type designations, areas of use, maintenance, and operation.
- Occupational Safety and Health Administration (OSHA) regulations that may apply.

Specifications, equipment, technical data, photos and illustrations based on information at time of printing and subject to change without notice. Some products may be shown with optional equipment.

BATTERY MAINTENANCE

Enhance Your Experience

The EPC3000-EP4000 Series of lift trucks provides several convenient battery access and extraction alternatives for you to choose from based on your application needs.



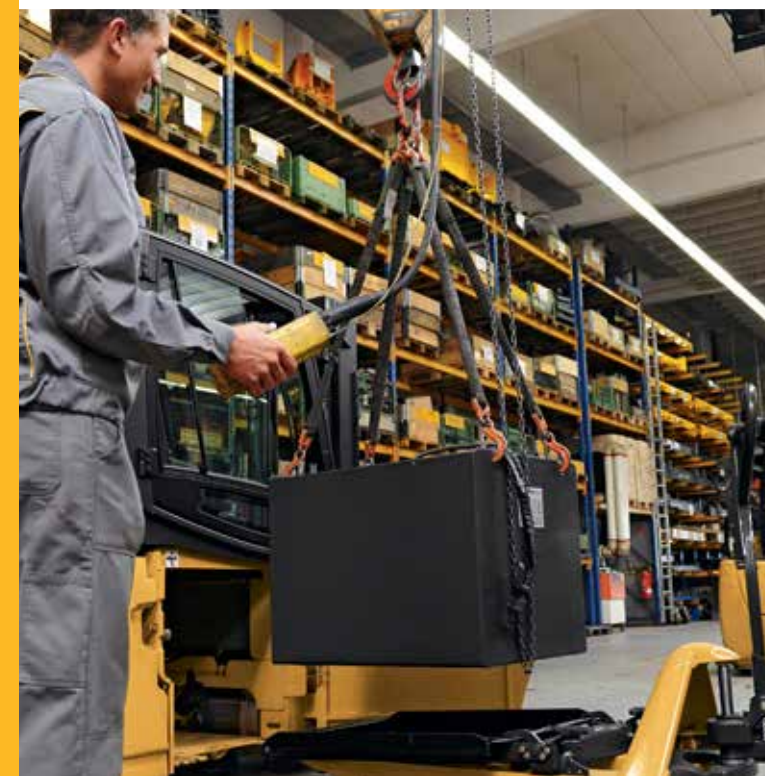
Battery Access
for maintenance (standard equipment)



Roller Bed Extraction



Manual Pallet Jack Extraction
with SnapFit



Crane Extraction
with SnapFit



Quality

Reliability

Customer Service

Experienced professionals at your local dealership and on our National Accounts Team can assist you with your lift truck purchase or lease. Your Cat lift truck dealer can provide options and additional visual and audible warning devices geared toward your specific requirements. Operator training programs are also available to boost productivity and to help reduce the potential for product damage and personal injury.



Electric Pneumatic Tire Lift Trucks

Capacity: 3,000-4,000 lb

1-800-CAT-LIFT | www.cat-lift.com | m.cat-lift.com

Copyright © 2013 by MCFA. All rights reserved. CAT, CATERPILLAR, their respective logos, "Caterpillar Yellow" and the "Power Edge" trade dress, as well as corporate and product identity used herein, are trademarks of Caterpillar and may not be used without permission. All registered trademarks are the property of their respective owners. Some products may be shown with optional equipment. Printed in U.S.A.